

IVECO ASTRA TRACTOR HEAD 6x4 HD9 - 64.42T- 420Hp E3 – LHD
“MADE IN ITALY HEAVY DUTY TRACTOR”

MODEL	HD9 64.42T (MODEL YEAR 2023)
TRACTION	6X4 TRACTOR
WHEELBASE	3500+1450 overhang 800 mm
CABIN	SLEEPER CAB – AT ACTIVE TIME (1 Driver + 1 Co-Driver+ 1 bed)
CABIN COLOUR	WHITE IC 194
ENGINE	IVECO CURSOR 13 , 6 cylinders in line. Total displacement 12.882 cm ³ , Euro3 emissions; Max power 420 HP (309Kw) @1900 rpm , Torque 1900 Nm @ 1000-1440 rpm; Turbine WG Waste Gate Turbine; Vertical exhaust with muffler;
GEARBOX	MANUAL ZF 16S2520TO – Ecosplit 4 technology with servoshift, 16 synchronised forward speeds + 2 reverse.
SUSPENSIONS	FRONT Parabolic 4 leaves 24x90mm. with 8 t axle load REAR Reinforced semi-elliptic suspensions, 10 leaves x size 25mm. x 100 mm.
BRAKES	Front/rear drums brakes duo-duplex. <u>ABS+EBL System</u>
DRIVE	Left hand drive
FUEL TANK	600 LT
REAR AXLE RATIO	1: 5,009
PNEUS	13R22.5 PIRELLI - ON/OFF ROAD TWINNED AT REAR
TOWING VERSION	YES
GVW	40 Tons (depending on pneus type and brand)
GCW	121 Tons



SUPPLY STANDARD IVECO ASTRA HD9

BATTERIES N° 2 - 180 Ah
1ST AXLE WHEEL STUD PROTECTION
STEEL FUEL TANK
BRAKES AIR COMPRESSOR 630 cm³
ABS
AIR PLUG IN THE CAB
AIR SUSPENDED DRIVER SEAT
ALTERNATOR 90 Ah - 28V (2520 W)
ATHERMIC WINDOWS
COLD START KIT
CRUISE CONTROL
DECOMPRESSION ENGINE BRAKE
DRY AIR FILTER WITH SAFETY CARTRIDGE
DUO-DUPLEX DRUM BRAKES
ELECTRIC WINDOWS
ELECTRICAL PROVISION FOR BODYBUILDERS
ELECTRONIC BRAKE LIMITATION (EBL)
EURO3 COMPLIANT
FRONT LIGHTS PROTECTION GRIDS
FRONT MANOEUVERING HOOK
HEATED GASOIL FILTER
HELPER FRAME FOR FIFTH WHEEL
HOUR METER
HYDRAULIC JACK
MANUAL BATTERY CUT-OFF
MECHANICAL ADJUSTABLE STEERING WHEEL (HEIGHT AND INCLINATION)
MIRRORS CE COMPLIANT
PNEUMATIC SYSTEM AIR DRIER
PROVISION FOR GEARBOX PTO CONTROL
PROVISION RADIO AND CB
REAR AXLE RATIO (To be confirmed in the order)
REAR MUDGUARDS WITH SIDE AND REAR LAMPS
SPARE WHEEL
SPEED LIMITER (To be confirmed in the order)
STATIC 2-WAY ADJUSTABLE PASSENGER SEAT
TOOL KIT
WHITE CAB HYDRAULIC TILT
WITHOUT FIFTH WHEEL

Département camions neufs

Tél: +32.(0)2.352.01.50 - Fax: +32.(0)2.352.01.52

Département pièces détachées

Tél: + 32.(0)478.78.35.95 - Fax: +32.(0)2.375.62.79

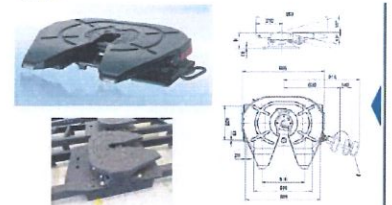
1595-1599 Chée de Waterloo 1180 Bruxelles - Belgique

E-mail: contact@autolink.eu - Web site : <http://autolink.com>

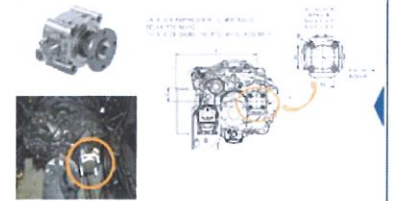
OPTIONALS INCLUDED

- 002 AIR CONDITION
- 003 EXTERNAL SUNVISOR
- 042 600LT FUEL TANK
- 048 ABS
- 052 REINFORCED REAR CONVENTIONAL SUSPENSION
- 080 FIFTH WHEEL 3 1/2" -JOST-JSK38
- 253 SPEED LIMIT 1st THRESHOLD 90KM/H
- 260 NO SPEED LIMIT 2nd THRESHOLD
- 274 FUEL PRE-FILTER
- 284 TYRE INFLATION HOSE
- 363 PLATE (ENGLISH LANGUAGE)
- 443 PROVISION FOR RADIO
- 444 PROVISION FOR ROTATING LIGHTS
- 467 SUBFRAME
- 468 ADDITIONAL PARKING BRAKE AIR CHAMBERS
- 406 LIGHT REAR VIEW MIRRORS
- 392 LIGHT SIDE MIRROR
- 086 PTO GEARBOX ZF NH/1C

FIFTH WHEEL 3 1/2" (JOST - JSK 38 C1)
OPT 080

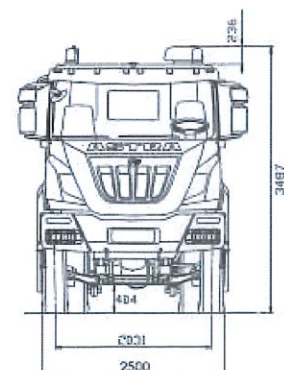
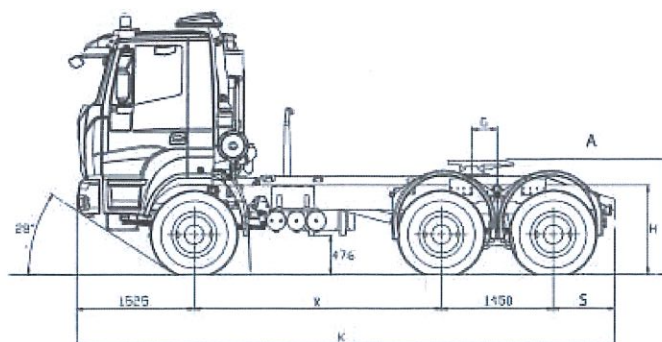


PTO GEARBOX ZF NH/1C PUMP
OPT 086



For additional information, please refer to the technical data sheet attached.

Tractor 6x4 HD64.42T



Département camions neufs

Tél: +32.(0)2.352.01.50 - Fax: +32.(0)2.352.01.52

Département pièces détachées

Tél: + 32.(0)478.78.35.95 - Fax: +32.(0)2.375.62.79

1595-1599 Chée de Waterloo 1180 Bruxelles - Belgique

E-mail: contact@autolink.eu - Web site : <http://autolink.com>